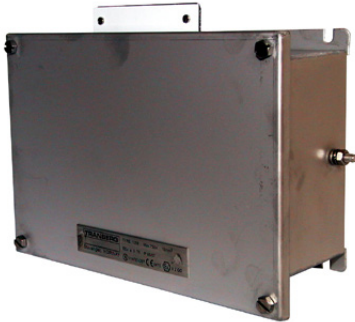


# TEF 1058 MARSHALLING BOX FOR HEAT-TRACE ATEX / IECEx



Tranberg's heat trace boxes are represented in most of the oil installations in the North Sea, and also petrochemical industries and other industries subjected to rough environments.

Tranberg have designed and manufactured heat tracing equipment, and heating applications for rough environments, for more than 25 years. Our product range includes therefore a number of different heat tracing junction boxes.

## APPLICATION

The TEF 1058 are used for a wide range of installations, normal solutions are:

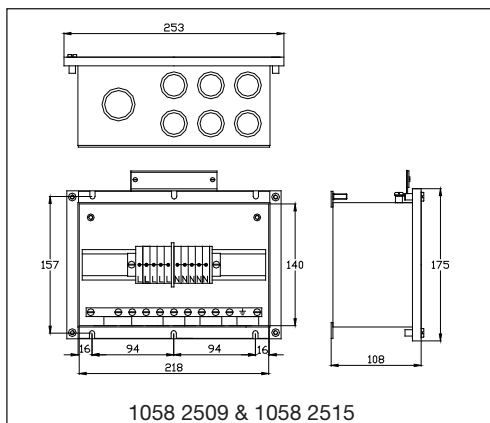
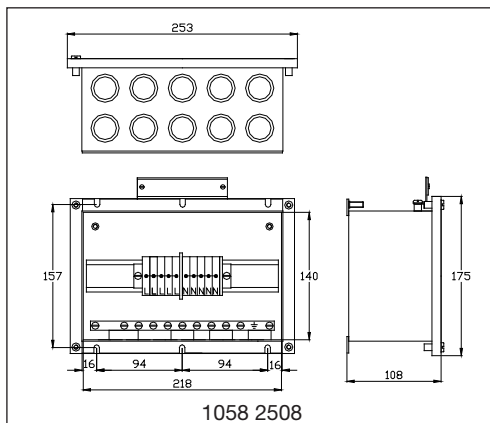
- Electro
- Instrument
- Telecom market
- ESD's
- Control stations i. e.

## FEATURES AND BENEFITS

- High ingress protection. IP66/67
- Drainage flange in box prevents penetration of water.
- Manufactured in acid proof stainless steel (AISI 316L)
- Tailor made size and performance is possible.
- Stainless steel type label spot welded to the cover.
- Several earthing alternatives.
- Maximum strength and corrosion resistance.
- High operational reliability.
- Low lifetime maintenance cost.

## EQUIPPED WITH

- **1058 2508:**  
10 pc. Ø25 entries & 10 pc. terminals PHOENIX UT6
- **1058 2509:**  
6 pc. Ø25 entries & 1 pc. Ø32 entry & 10 pc. terminals PHOENIX UT10
- **1058 2515:**  
6 pc. Ø25 entries & 1 pc. Ø32 entry & 10 pc. terminals PHOENIX UT16
- 1 pc earth bar



100A8277

## TECHNICAL DATA

<b>Ex-protection:</b>	Exe II T6
<b>Protection:</b>	IP66 / IP67
<b>Material:</b>	AISI 316L / EN 1.4404
<b>Finish:</b>	Bright chemical dip
<b>Voltage:</b>	Max. 16 mm <sup>2</sup> 725V

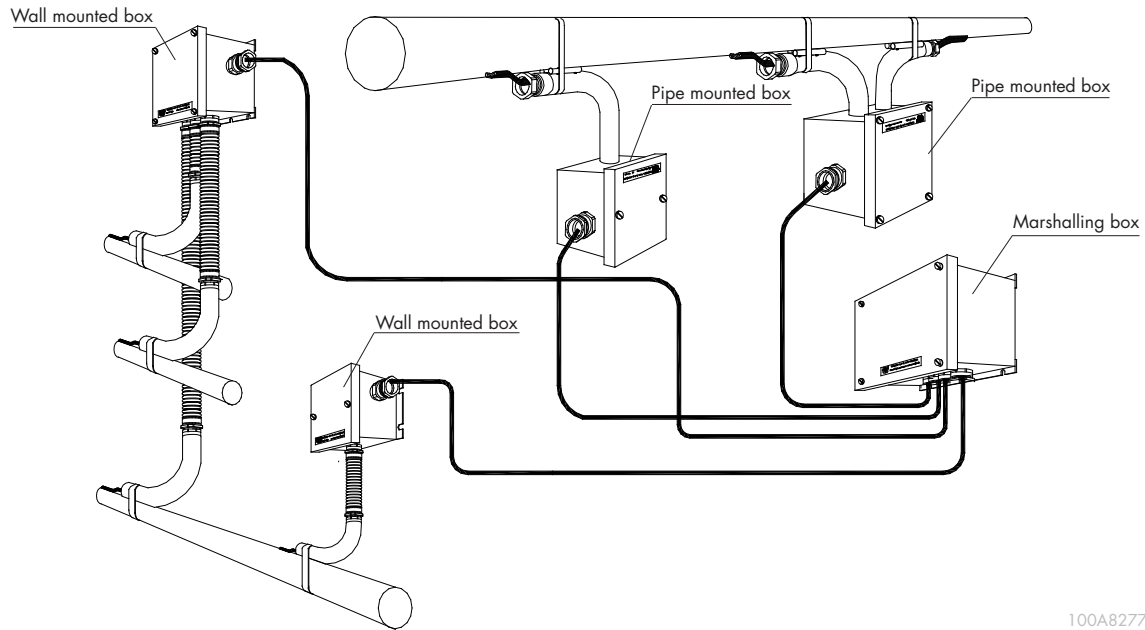
## APPROVALS AND CERTIFICATES

ATEX: Presafe 14ATEX4124

IECEx: IECEx PRE 14.0001

*Subject to change without prior notice*

**TRANBERG®**



100A8277

## DESCRIPTION

	Weight	Part No.
Marshalling/Distribution box: 10x Terminals 6mm <sup>2</sup> linked 5+5, PE Earth bar, 10x M25 holes for Glands/Blinds.	1,6 kg.	1058 2508
Marshalling/Distribution box: 10x Terminals 10mm <sup>2</sup> linked 5+5, PE Earth bar, 6x M25 and 1x M32 holes for Glands/Blinds.	1,6 kg.	1058 2509
Marshalling/Distribution box: 10x Terminals 16mm <sup>2</sup> linked 5+5, PE Earth bar, 6x M25 and 1x M32 holes for Glands/Blinds.	1,6 kg.	1058 2515

## DESCRIPTION ACCESSORIES

	Weight	Part No.
Cable gland, Brass M25D9 Exe for cable 13 - 17 mm	0,1 kg.	6222 570
Cable gland, Brass M25D2 Exe for cable 11 - 15 mm	0,1 kg.	6222 520
Cable gland, Brass M25D1 Exe for cable 15 - 20,1 mm	0,1 kg.	6222 510
Cable gland, Brass M32E2 Exe for cable 18 - 23 mm		6223 230
Cable gland, Brass M32E1 Exe for cable 20 - 26,5 mm		6223 210
Stopping plug, Brass M25 Exe	0,1 kg.	6502 500
Lock nut M25		7957 004
Lock nut M32		7957 005
Drain plug, Brass M25 EExe with lock nut	0,1 kg.	7302 106
Trafolyte label with mounting kit		9090 025

**TRANBERG®**