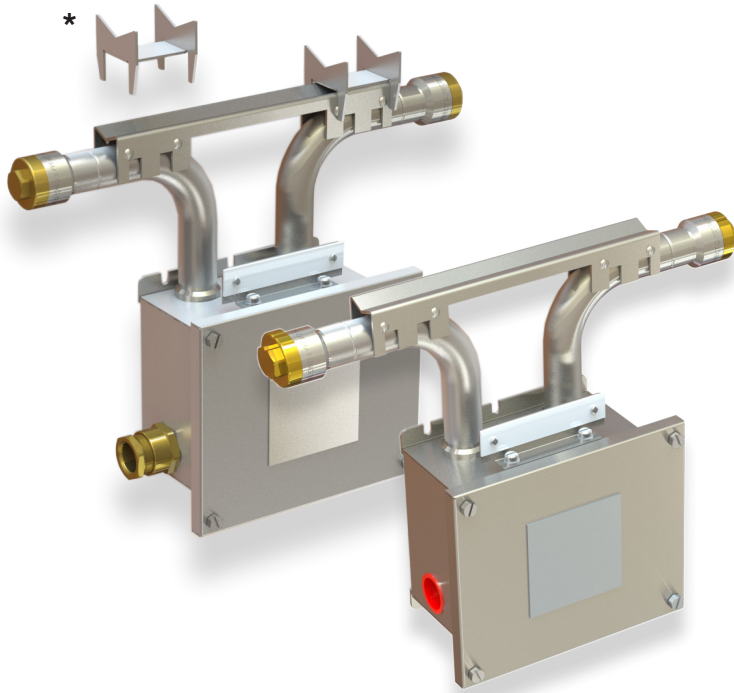


TRANBERG JUNCTION BOX TYPE 1058 FOR HEAT TRACE/ DE-ICE PIPE MOUNTED ZONE 1, ZONE 2 & SAFE AREA



* Elevator for high temperature lines shown on picture above
-To be ordered separately.



Tranberg's heat trace boxes are represented in most of the oil installations in the North Sea, and also petrochemical industries and other industries subjected to rough environments.

Tranberg have designed and manufactured heat tracing equipment, and heating applications for rough environments, for more than 25 years. Our product range includes therefore a number of different heat tracing junction boxes.

TECHNICAL DATA

| | |
|---|------------------------------|
| Ex-protection: | Ex II 2 G Ex eb IIC T5 |
| Protection: | IP66 / IP67 |
| Material: | AISI 316L / EN 1.4404 |
| Finish: 1058 1606 & 1058 1616: | Bright chemical dip |
| Finish: 1058 1646 & 1058 1636: | Electro polished |
| Voltage: | Max. 10 mm ² 690V |
| T_{amb}: | -50°C to +50°C |

APPLICATION

- Hazardous areas
- Chemical and petrochemical industries
- Industrial plants (frost protection or temperature maintenance)
- According to NORSOK requirements

FEATURES AND BENEFITS

- High ingress protection. IP66/67. IP67 without drainplug.
- Manufactured in acid proof stainless steel (AISI 316L).
- Stainless steel Type Label spot welded to the cover.
- Several earthing alternatives.
- Maximum strength and corrosion resistance.
- High operational reliability.
- Low lifetime maintenance cost.
- Recommended for up to 4 heating cables.

EQUIPPED WITH

- 2 pcs. Transition units with stopping plugs
- 10 pcs. Terminals PHOENIX UT6
- 5 pcs. Ø25 entries

APPROVALS AND CERTIFICATES

| | |
|------------------|--|
| Approval: | ATEX: Presafe 14ATEX4124 IECEx: IECEx PRE 14.0001 |
|------------------|--|

Subject to change without prior notice

TRANBERG®

DESCRIPTION

| | Weight | Part No. |
|--|----------|-----------|
| Junction box with 5 pc. Ø25 entries (with temporary plugs). Bright chemical dip. * Note 1: Label kit not included | 1,68 kg. | 1058 1606 |
| Junction box with 5 pc. Ø25 entries (with temporary plugs). Electro polished. * Note 1: Label kit not included | 1.68 kg. | 1058 1646 |
| Junction box with 2 pc. cable gland E204/622 M25/D9 (Ø13,0-17,0mm), 2 pc. stopping plug M25 and 1 pc. drainplug M25. Bright chemical dip | 2.18 kg. | 1058 1616 |
| Junction box with 2 pc. cable gland E204/622 M25/D9 (Ø13,0-17,0mm), 2 pc. stopping plug M25 and 1 pc. drainplug M25. Electro polished | 2.18 kg. | 1058 1636 |

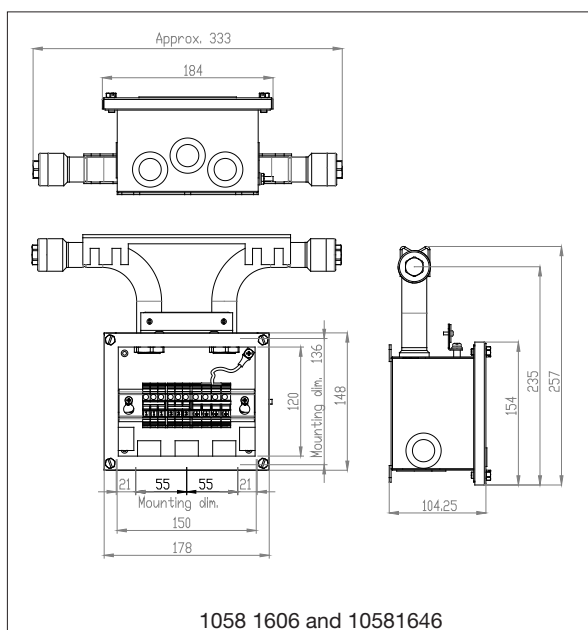
DESCRIPTION ACCESSORIES

| | Weight | Part No. |
|---|----------|----------|
| Connection Kit Pipe Mounting 5x11 M28x1 HOT for Raychem Cables 3BTV-5BTV-10QTV-15QTV-XTV-KTV-VPL | 0,37 kg. | 9179 223 |
| Connection Kit Pipe Mounting 5x15 M28x1 HOT for Raychem Cables 8BTV-10BTV-20QTV-XTV-KTV | 0,37 kg. | 9179 218 |
| Connection Kit Pipe Mounting 5x11/5x15 M28x1 HOT for all Raychem Cables | 0,37 kg. | 9179 220 |
| Connection Kit Pipe Mounting 5x11 M28x1 COLD for Raychem Cables 3BTV-5BTV-10QTV-15QTV-XTV-KTV-VPL | | 9179 225 |
| Connection Kit Pipe Mounting 5x15 M28x1 COLD for Raychem Cables 8BTV-10BTV-20QTV-XTV-KTV | | 9179 199 |
| Connection Kit Pipe Mounting 5x11/5x15 M28x1 COLD for all Raychem Cables | | 9179 215 |

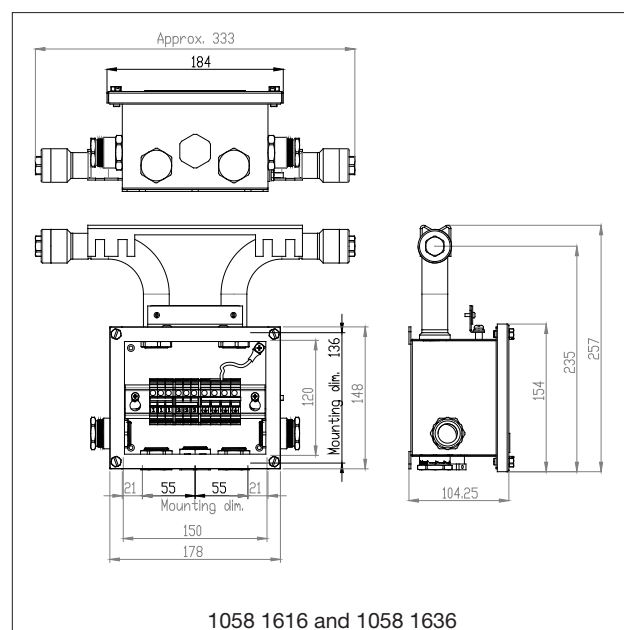
Note: Please see datasheet TPS5686, connection kit for pipe mounting, for more part numbers and details on connection kit.

| | | |
|--|---------|----------|
| Elevator for high temperature line | | 6071 |
| TEF 7731 Cladding exit plates double bend IECE _x | | 7000 083 |
| Cable Gland Exe: E204/622 M25/D9/9mm (Ø13,0-17,0mm), w/ lock nut | 0,1 kg. | 6222 532 |
| Cable Gland Exe: E204/622 M25/D1/9mm (Ø15,0-20,1mm), w/ lock nut | 0,1 kg. | 6222 512 |
| Stopping plug, Brass M25 Exe with lock nut | 0,1 kg. | 6502 502 |
| Drain plug, Brass M25 Exe with lock nut | 0,1 kg. | 7302 106 |
| Trafolyte label with mounting kit | | 9090 025 |

DIMENSIONS AND ILLUSTRATIONS



100A108870



100A108869

TRANBERG®