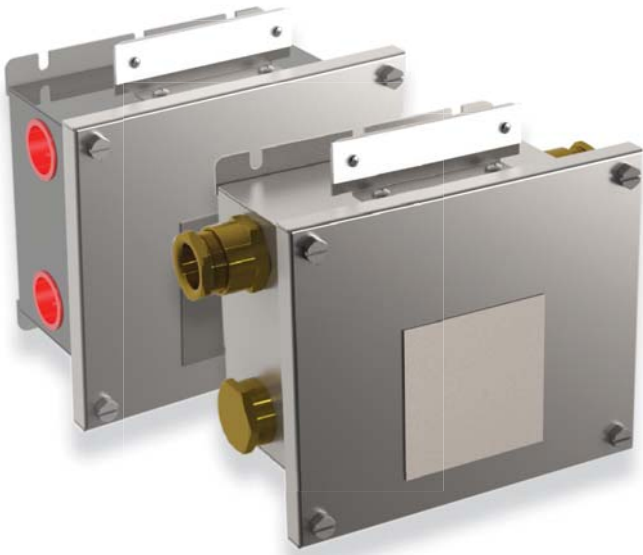


TRANBERG JUNCTION BOX TYPE 1058 FOR HEAT TRACE/ DE-ICE WALL MOUNTED ZONE 1, ZONE 2 & SAFE AREA



Tranberg heat trace boxes are represented in most of the oil installations in the North Sea, and also petrochemical industries and other industries subjected to rough environments.

Tranberg has designed and manufactured heat tracing equipment and heating applications for rough environments for more than 25 years. Our product range includes therefore a number of different heat tracing junction boxes.

APPLICATION

- Hazardous areas
- Chemical and petrochemical industries
- Industrial plants (frost protection or temperature maintenance)
- According to NORSOK requirements

FEATURES AND BENEFITS

- High ingress protection. IP66/67. IP67 without drain plug.
- Manufactured in acid proof stainless steel (AISI 316L).
- Stainless steel Type Label spot welded to the cover.
- Several earthing alternatives.
- Maximum strength and corrosion resistance.
- High operational reliability.
- Low lifetime maintenance cost.
- Recommended for up to 2 heating cables.

TECHNICAL DATA

Ex-protection:	Ex II 2 G Ex eb II T5
Protection:	IP66 / IP67
Material:	AISI 316L / EN 1.4404
Finish: 1058 1608 and 1058 1618 1058 1648 and 1058 1638	Bright chemical dip Electro polished
Voltage:	Max. 10 mm ² 690V
T_{amb}:	-50°C to +50°C

EQUIPPED WITH

- 6 pcs. Ø25 entries
- 10pcs. Terminals PHOENIX UT6

APPROVALS AND CERTIFICATES

Approval:	ATEX: Presafe 14ATEX4124 IECEx: IECEx PRE 14.0001
------------------	--

Subject to change without prior notice

TRANBERG[®]

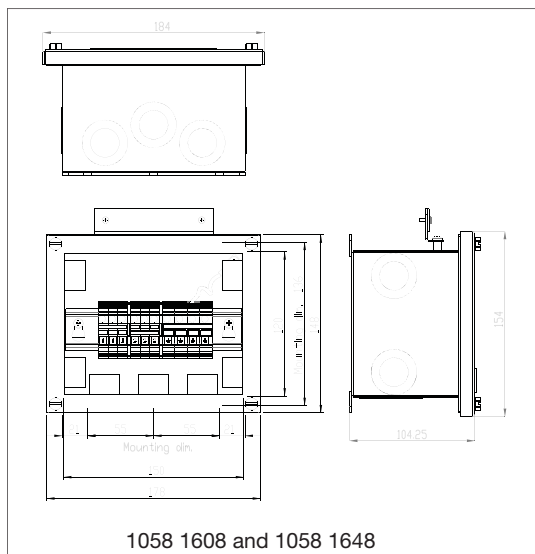
DESCRIPTION

	Weight	Part No.
Junction box with 7 pc. Ø25 entries (with temporary plugs), Bright chemical dip. * Note 1 : Label Kit not included	1,27 kg.	1058 1608
Junction box with 7 pc. Ø25 entries (with temporary plugs), Electro polished. * Note 1 : Label Kit not included	1,27 kg.	1058 1648
Junction box with 2 pc. cable gland E204/622 M25/D9 (Ø13,0-17,0mm), 2 pc. stopping plug, 1 pc. drainplug and 2 pc. temporary plugs, Bright chemical dip	1,95 kg.	1058 1618
Junction box with 2 pc. cable gland E204/622 M25/D9 (Ø13,0-17,0mm), 2 pc. stopping plug, 1 pc. drainplug and 2 pc. temporary plugs, Electro polished	1,95 kg.	1058 1638

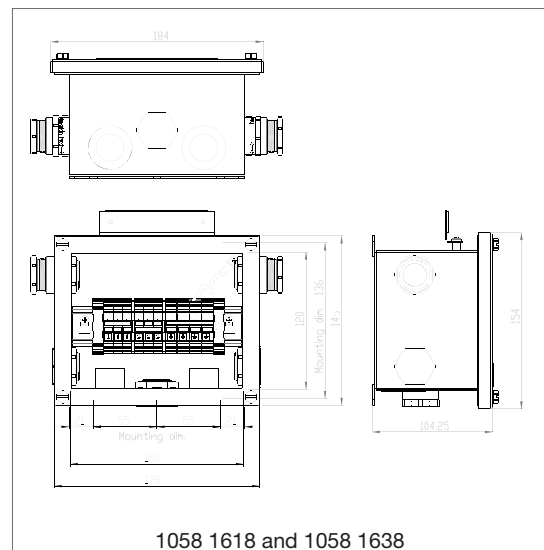
DESCRIPTION ACCESSORIES

	Weight	Part No.
Connection kit Wall Mounting 5x11 M28x1 HOT for Raychem Cables 3BTV-5BTV-10QTV-15QTV-XTV-KTV-VPL	0,37 kg.	9179 224
Connection kit Wall Mounting 5x15 M28x1 HOT for Raychem Cables 8BTV-10BTV-20QTV-XTV-KTV	0,37 kg.	9179 204
Connection kit Wall Mounting 5x11/5x15 M28x1 HOT for all Raychem Cables	0,37 kg.	9179 228
Connection kit Wall Mounting 5x11 M28x1 COLD for Raychem Cable 3BTV-5BTV-10QTV-15QTV-XTV-KTV-VPL		9179 226
Connection kit Wall Mounting 5x15 M28x1 COLD for Raychem Cables 8BTV-10BTV-20QTV-XTV-KTV		9179 206
Connection kit Wall Mounting 5x11/5x15 M28x1 COLD for all Raychem Cables		9179 227
<i>Note: Please see datasheet TPS5687, connection kit for wall mounting, for more part numbers and details on connection kit.</i>		
Flexible conduit, SS316. Inner diam. 18,8mm, outer diam.: 22,3mm. Length : 2 meter	0,5 kg	7000 080
Flexible conduit, SS316. Inner diam. 18,8mm, outer diam.: 22,3mm. Length : 25 meter	6,2 kg.	7000 081
Adapter for flexible conduit M28x1		5079 1123
Cable Gland Exe: E204/622 M25/D9/9mm (Ø13,0-17,0mm), w/ lock nut	0,1 kg	6222 532
Cable Gland Exe: E204/622 M25/D1/9mm (Ø15,0-20,1mm), w/ lock nut	0,1 kg	6222 512
Stopping plug, Brass M25 Exe with lock nut	0,1 kg.	6502 502
Drain plug, Brass M25 Exe with lock nut	0,1 kg	7302 106
Trafolyte label with mounting kit		9090 025

DIMENSIONS AND ILLUSTRATIONS



100A108872



100A108871