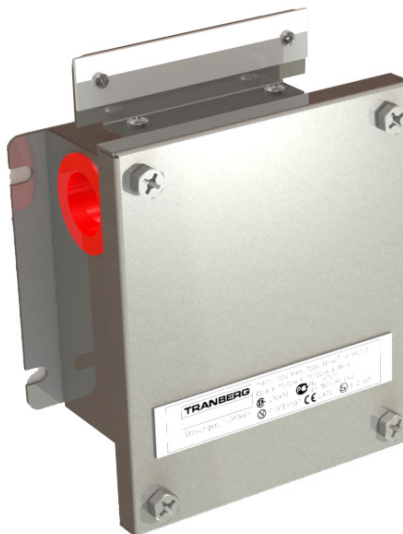


TEF 1058

IECEX JUNCTION BOX FOR HEAT-TRACE WALL MOUNTED



Tranberg's heat trace boxes are represented in most of the oil installations in the North Sea, and also petrochemical industries and other industries subjected to rough environments.

Tranberg have designed and manufactured heat tracing equipment, and heating applications for rough environments, for more than 25 years. Our product range includes therefore a number of different heat tracing junction boxes.

APPLICATION

- Hazardous areas
- Chemical and petrochemical industries
- Industrial plants (frost protection or temperature maintenance)
- According to NORSOK requirements

FEATURES AND BENEFITS

- High ingress protection. IP66/67.
- Drainage flange in box prevents penetration of water.
- Manufactured in acid proof stainless steel (AISI 316L)
- Tailor made size and performance is possible.
- Stainless steel Type Label spot welded to the cover.
- Several earthing alternatives.
- Maximum strength and corrosion resistance.
- High operational reliability.
- Low lifetime maintenance cost.
- Thousands of Tranberg's Junction Boxes are installed for decades.

EQUIPPED WITH

- 4 pc. Ø25 entries.
- 4 pcs. terminals PHOENIX MXK 4Ex
- 2 pcs. terminals PHOENIX MBK 6/E
- * 1 pc. Label Kit Stainless Steel w/Trafoyte Label Plate
- * See page 2, Note 1

TECHNICAL DATA

Ex-protection:	II 2 G Ex eb IIC T6
Protection:	IP66 / IP67
Material:	AISI 316L / EN 1.4404
Finish 10581108 & 10581118:	Bright chemical dip
Finish 10581128 & 10581138:	Electro polished
Voltage:	Max. 4 mm ² 420V
T_{amb}:	-50°C to +60°C

APPROVALS AND CERTIFICATES

ATEX: 14ATEX4124
 IECEX: IECEX PRE 14.0001

Subject to change without prior notice

TRANBERG®

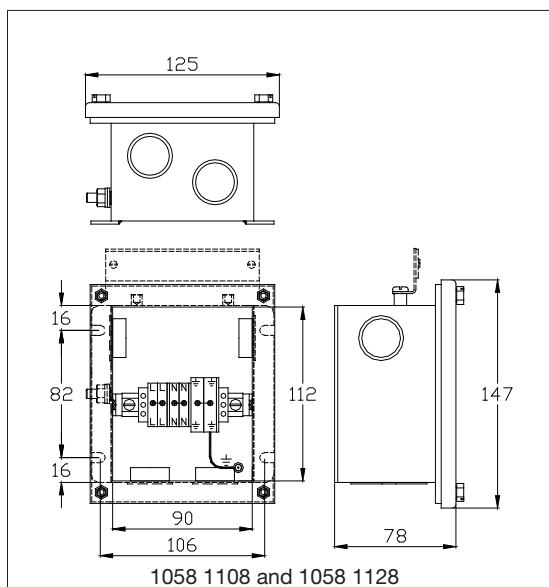
DESCRIPTION

	Weight	Part No.
Junction box with 4 pc. Ø25 entries, Bright chemical dip. * Note 1 : Label Kit not included	0,94 kg.	1058 1108
Junction box with 4 pc. Ø25 entries, Electro polished. * Note 1 : Label Kit not included	0,96 kg.	1058 1128
Junction box with 1 pc. cable gland E204/622 M25/D9 (Ø13,0-17,0mm), 1 pc. stopping plug M25 and 1 pc. drainplug M25, Bright chemical dip	1,26 kg.	1058 1118
Junction box with 1 pc. cable gland E204/622 M25/D9 (Ø13,0-17,0mm), 1 pc. stopping plug M25 and 1 pc. drainplug M25, Electro polished	1,26 kg.	1058 1138

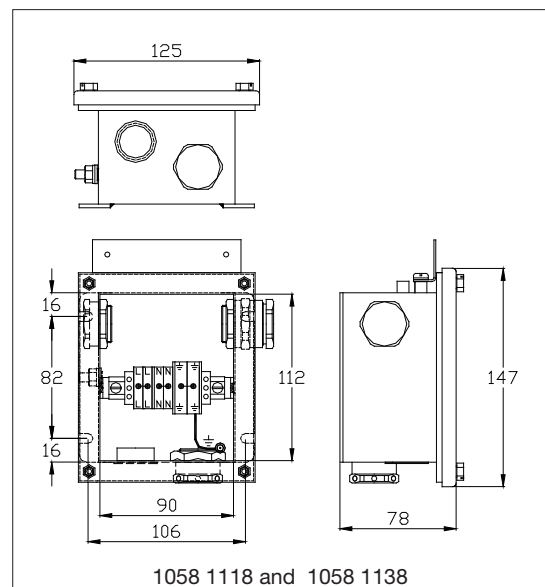
DESCRIPTION ACCESSORIES

	Weight	Part No.
Connection kit for Thermon cables KSX and HTSX, gasket 5x11	0,37 kg.	9178 224
Connection kit for Thermon cables BSX and VSX, gasket 5x13	0,37 kg.	9178 203
Connection kit for Thermon cables RSX, gasket 5x15	0,37 kg.	9178 204
Connection kit for Thermon cables BSX, VSX and RSX, gasket 2 x (5x14)		9178 210
Connection kit for Thermon cables TESH wall mounted JB, Ø8mm incl. TESFIT - EX	1,0 kg.	9178 247
Connection kit for Thermon cables TESH wall mounted JB, Ø8mm		9178 255
<i>Note: Please see datasheet TPS4967, connection kit for wall mounting, for more part numbers and details on connection kit.</i>		
Flexible conduit, SS316. Inner diam. 18,8mm, outer diam.: 22,3mm. Length : 2 meter	0,5 kg.	7000 080
Flexible conduit, SS316. Inner diam. 18,8mm, outer diam.: 22,3mm. Length : 25 meter	6,2 kg.	7000 081
Adapter for flexible conduit M28x1		5079 1123
Cable Gland Exe: E204/622 M25/D9/9mm (Ø13,0-17,0mm), w/ lock nut	0,1 kg.	6222 532
Cable Gland Exe: E204/622 M25/D1/9mm (Ø15,0-20,1mm), w/ lock nut	0,1 kg.	6222 512
Stopping plug, Brass M25 Exe with lock nut	0,1 kg.	6502 502
Drain plug, Brass M25 Exe with lock nut	0,1 kg.	7302 106
Trafolyte label with mounting kit		9090 025

DIMENSIONS AND ILLUSTRATIONS



772A10581



772A10976